

Application	Interrupted	Uninterrupted
Thermal Current Rating (¹ th)		100A
Intermittent Current Rating:		
30% Duty		180A
40% Duty		160A
50% Duty		140A
60% Duty		130A
70% Duty		120A
Rated Fault Current Breaking Capacity (¹ cn) 5ms Time Constant: (in accordance with UL583*)		
SU60		500A at 48V D.C.
SU60B		500A at 96V D.C.
Rated Fault Current Breaking Capacity (¹ cn) Resistive Load: (in accordance with UL588*)		
SU60		150A at 48V D.C.
SU60B		150A at 96V D.C.
Maximum Recommended Contact Voltages (U ₀):		
SU60	48V D.C.	60V D.C.
SU60B		96V D.C.
Typical Voltage Drop per pole across New Contacts at 100A		<50mV
Mechanical M.T.B.F		>3 x 10 ⁶
Coil Voltage Available (U _s)		From 6 to 130V D.C.
Coil Power Dissipation:		
Highly Intermittent Rated Types		14 - 21 Watts
Intermittently Rated types		10 - 14 Watts
Prolonged Rated Types		7 - 10 Watts
Continuously Rated Types		5 - 7 Watts
Maximum Pull-In Voltage (Coil at 20° C) Guideline:		
Highly Intermittent Rated types (Max 25% Duty Cycle)		60% U _s
Intermittently Rated types (Max 70% Duty Cycle)		60% U _s
Prolonged Operation (Max 90% Duty Cycle)		60% U _s
Continuously Rated Types (100% Duty Cycle)		66% U _s
Drop-Out Voltage Range		10 - 25% U _s
Typical Pull-In Time		15ms
Typical Drop-Out Time (N/O Contacts to Open):		
Without Suppression		6ms
With Diode Suppression		35ms
With Diode and Resistor (Subject to resistance value)		8 - 20ms
Typical Contact Bounce Period		3ms
Operating Ambient Temperature		- 40° C to + 60° C
Guideline Contactor Weight:		
SU60		217 gms
With Auxiliary		+ 20 gms
With Blowouts		+ 5 gms
Auxiliary Details		
Auxiliary Thermal Current Rating		5A
Auxiliary Contact Switching Capabilities (Resistive Load):		
SU60C	SU60A	
		5A at 24V D.C.
		1A at 60V D.C.
		0.5A at 120V D.C.
		0.25A at 240V D.C.
Advised Connection Sizes for Maximum Continuous Current		
Copper busbar		64.5mm ² [0.1inch ²]
Cable		Rated suitable for Application
Key: ■ = Interrupted ■ = Uninterrupted		
Note: Where applicable values shown are at 20° C		
* Please check our web site for product UL status		

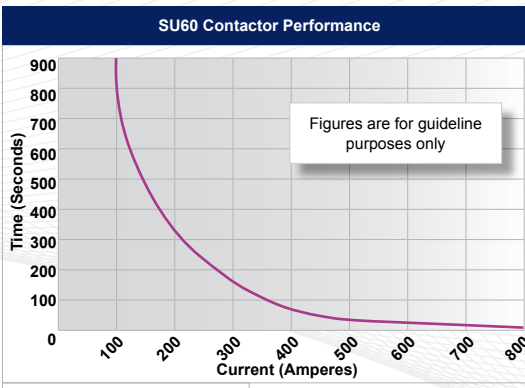
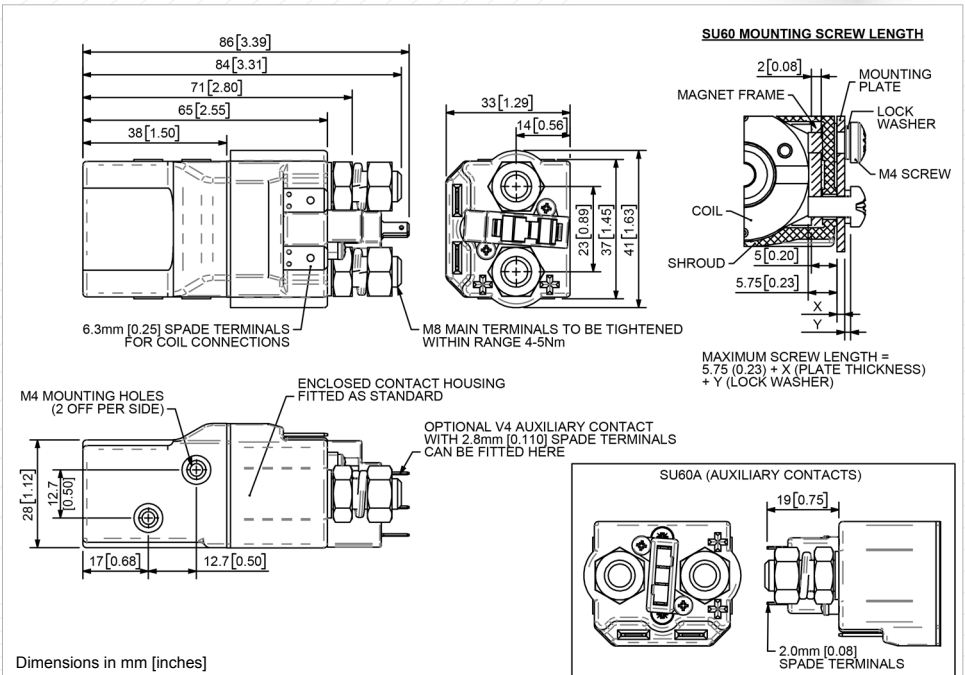
The SU60 is a high rated freestanding compact contactor devised for both interrupted and uninterrupted loads, and is suitable for switching Resistive, Capacitive and Inductive loads. Typical applications include motors as used on small electric vehicles and hydraulic power packs.

- **Interrupted** current - opening and closing on load with frequent switching (results in increased contact resistance).
- **Uninterrupted** current - no or infrequent load switching requirements (maintains a lower contact resistance).

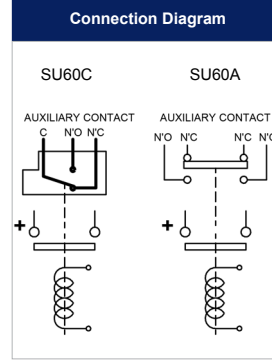
The SU60 features single pole double breaking main contacts with silver alloy tips, which are weld resistant, hard wearing and have excellent conductivity. The SU60 has M8 stud main terminals and 6.3mm spade coil connections. It can be mounted via M4 tapped holes or mounting brackets – either supplied fitted, or as separate items. Mounting can be on the side or base of the contactor.



SU60



Contact Performance Key:
— Interrupted & Uninterrupted Current



SU60 Available Options		
General		Suffix
Auxiliary Contacts	○	A
Auxiliary Contacts - V4	○	C
Magnetic Blowouts†	○	B
Magnetic Blowouts - High Powered†	X	
Armature Cap	X	
Mounting Brackets (See Stud Contactor Series Catalogue)	○	
Magnetic Latching† (Not fail safe)	○	M
Closed Contact Housing ‡	●	
Environmentally Protected IP66 (see SU60P Catalogue sheet)	○	P
EE Type (Steel Shroud)	X	
Contacts		
Large Tips	○	L
Textured Tips	○	T
Silver Plating	X	
Coil		
AC Rectifier Board (Fitted)	X	
Coil Suppression†	○	
Flying Leads	X	
Manual Override Operation	X	
M4 Stud Terminals	○	
M5 Terminal Board	X	
Vacuum Impregnation	X	
Key: Optional ○ Standard ● Not Available X		
† Connections become polarity sensitive		
‡ Open Housing Available		

- Performance data provided should be used as a guide only. Some de-rating or variation from figures may be necessary according to application.
- Thermal current ratings stated are dependant upon the size of conductor being used
- For further technical advice email: technical@albrightinternational.com
- Albright reserve the right to change data without prior notice